

Maelstrom Authority

by Arya "Aurochsen Skysong" Akhavan (November 2015)

Facet Data

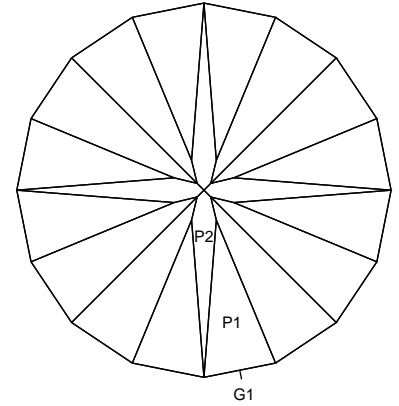
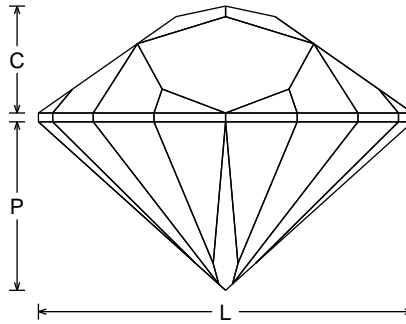
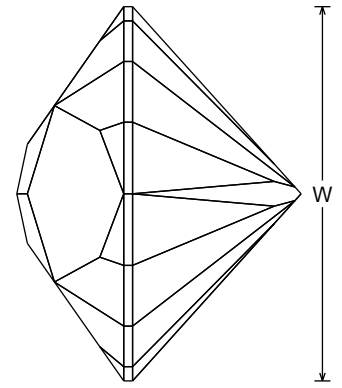
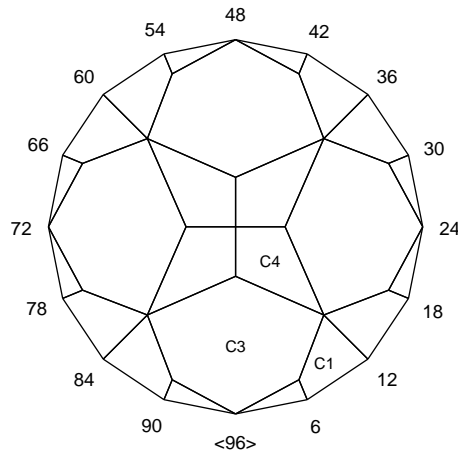
Pavilion facets	20	Pavilion tiers	2
Girdle facets	16	Girdle tiers	1
Crown facets	24	Crown tiers	4
Total facets	60	Total tiers	7

Size Data

L/W	1.000	P/W	0.450
T/W	0.000	C/W	0.286
U/W	0.000	H/W	0.760
V/W^3	0.235	P/C	1.576

Design Data

Angles for R.I.	1.54
Symmetry	4-fold, mirror
Index gear	96



Comments

This incredibly simple, tall-ish design has a surprisingly interesting reflection pattern that just gets crazier and crazier as you increase the RI. It cuts very fast and shouldn't pose any problems, as there are no difficult meetpoints anywhere. Works in materials from quartz to CZ (RI = 1.54 - 2.16) with no changes, but it would work perfectly for rounded Mali garnets.

Pavilion

P1	43.00	03-09-15-21-27-33-39-45-51-57-63-69-75-81-87-93	Cut to centerpoint.
G1	90.00	03-09-15-21-27-33-39-45-51-57-63-69-75-81-87-93	Set stone size.
P2	42.00	96-24-48-72	Meet P1, G1

Crown

C1	48.54	09-15-33-39-57-63-81-87	Set girdle width.
C3	35.00	96-24-48-72	Meet G1, C2
C4	16.80	12-36-60-84	Meet C1, C3
	48.54	03-21-27-45-51-69-75-93	