

The Duke of Iron Mountain

By: Vincent Nelson Fraser

Facet Data

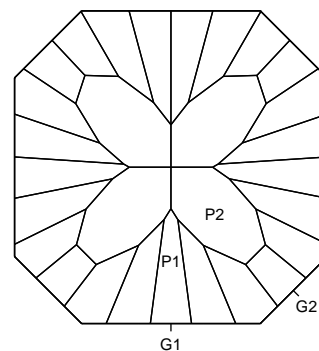
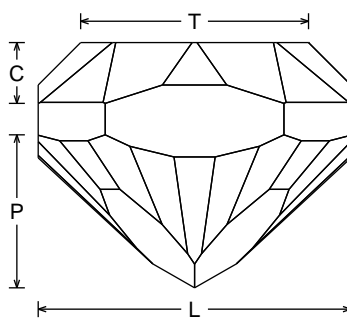
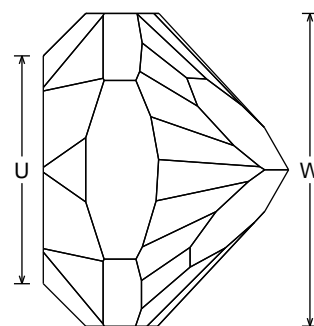
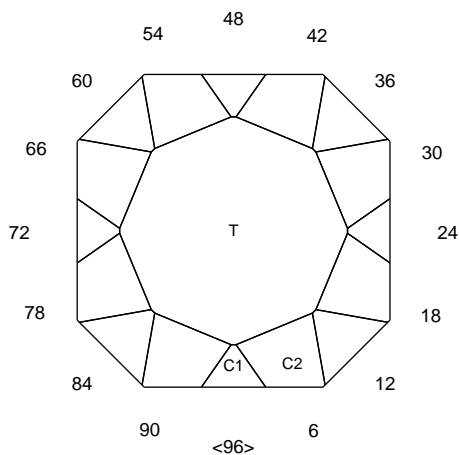
| | | | |
|---------------------|-----------|--------------------|----------|
| Pavilion facets | 29 | Pavilion tiers | 2 |
| Girdle facets | 8 | Girdle tiers | 2 |
| Crown facets | 16+1 | Crown tiers | 2+1 |
| Total facets | 54 | Total tiers | 7 |

Size Data

| | | | |
|------------------|-------|-----|-------|
| L/W | 1.000 | P/W | 0.489 |
| H/W | 0.784 | C/W | 0.194 |
| V/W ³ | 0.401 | P/C | 2.516 |

Design Data

| | |
|------------|----------------|
| R.I. range | 1.71 - 1.89 |
| Symmetry | 1-fold, mirror |
| Index gear | 96 |
| Shape | Square |



Pavilion

| | | |
|----|-------|--|
| P1 | 43.00 | 96-04-08-12-15-19-23-27-31-35-38-42-46-50-54-58-61-65-69-73-77-81-84-88-92 |
| P2 | 39.00 | 12-36-60-84 |
| G1 | 90.00 | 96-24-48-72 |
| G2 | 90.00 | 12-36-60-84 |

Preform at 44 degrees on 96, 24, 72, 48

Crown

| | | |
|----|-------|-------------------------|
| C1 | 45.00 | 96-12-24-36-48-60-72-84 |
| C2 | 40.00 | 06-18-30-42-54-66-78-90 |
| T | 0.00 | Table |